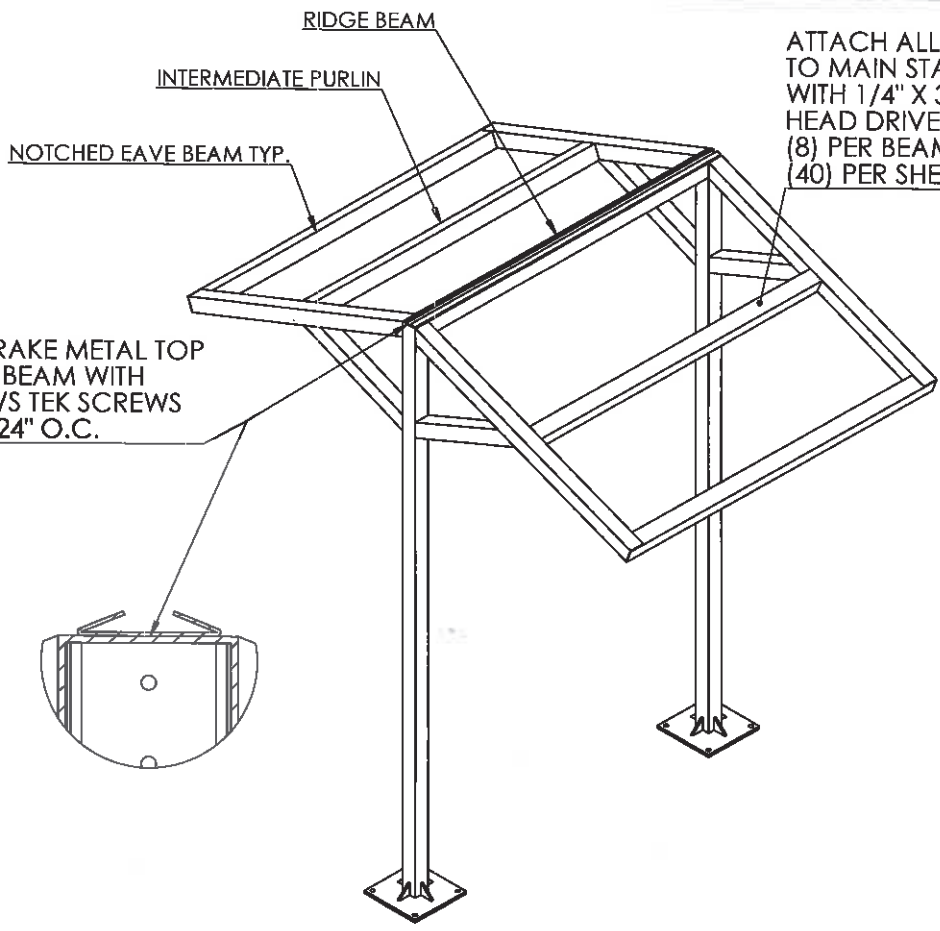
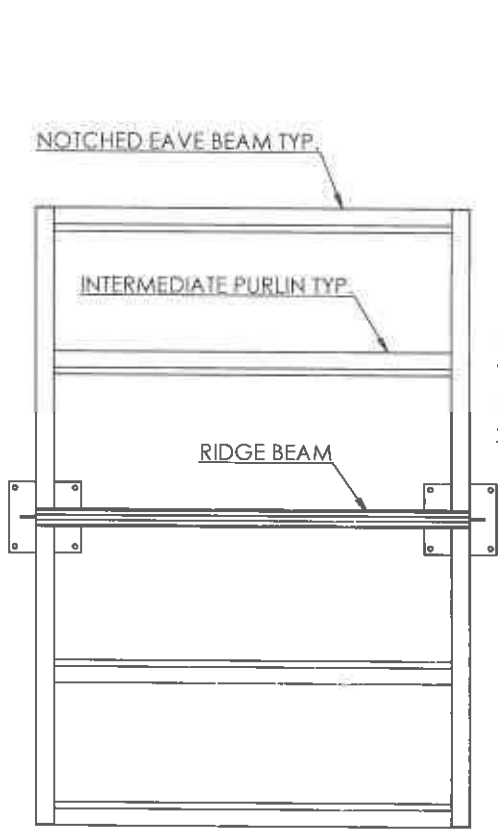
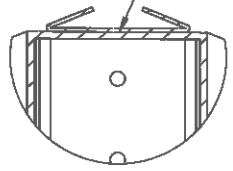


Client:	Project:	UNLESS OTHERWISE SPECIFIED:		NAME	DATE	TITLE: SUMMIT STANCHION ASSEMBLY
	SUMMIT INSTALL - PAGE 1	DIMENSIONS ARE IN INCHES:	DRAWN			
PROPRIETARY AND CONFIDENTIAL: THE INFORMATION CONTAINED IN THIS DRAWING IS THE SOLE PROPERTY OF . ANY REPRODUCTION IN PART OR AS A WHOLE WITHOUT THE WRITTEN PERMISSION OF . IS PROHIBITED.		FRACTIONAL	CHECKED			
		ANGULAR, TYPICAL BEND	ENG APPR.			
		TYPICAL DEGREE	MFG APPR.			
		INTERPRET GEOMETRIC TOLERANCING PER:	DATE			SIZE DWG. NO. REV
		MATERIAL	COMMENTS:			B
		FINISH				
		DO NOT SCALE DRAWING				SCALE: 1:50 WEIGHT: SHEET 1 OF 1



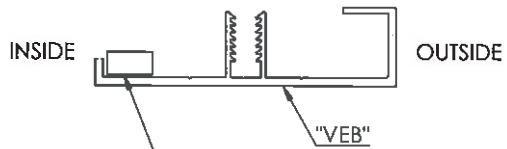
ATTACH ALL BEAMS TO MAIN STANCHIONS WITH 1/4" X 3/8" DOME HEAD DRIVE RIVETS TYP. (8) PER BEAM TYP. (40) PER SHELTER

INSTALL BRAKE METAL TOP TO RIDGE BEAM WITH #12 X 1" S/S TEK SCREWS - APROX. 24" O.C.



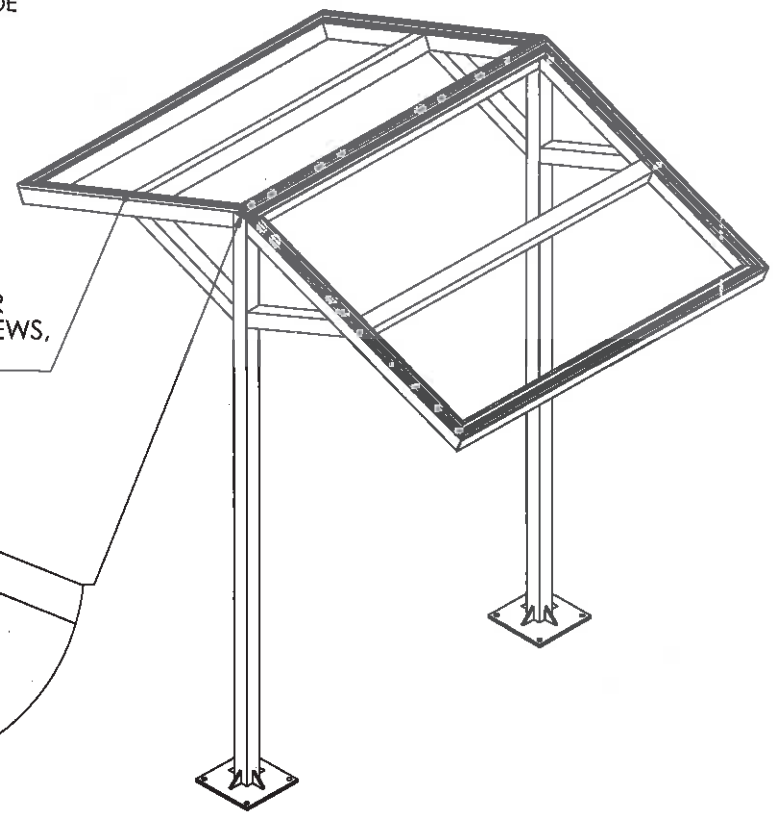
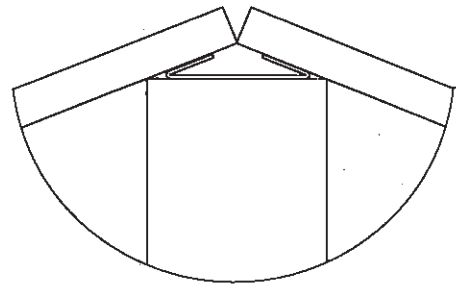
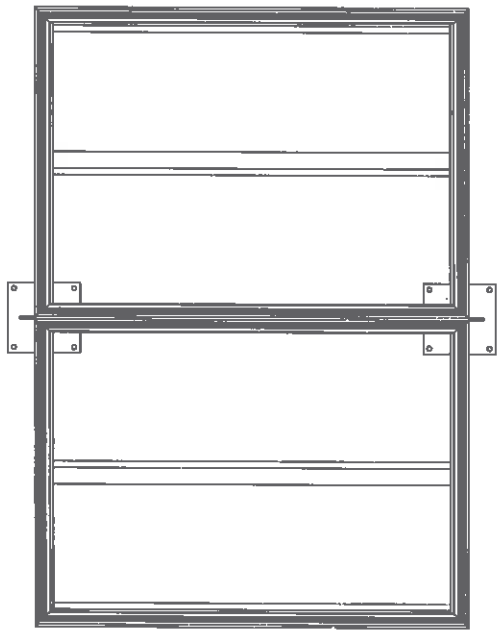
Client:	Project:	UNLESS OTHERWISE SPECIFIED:		NAME	DATE	TITLE: SUMMIT FRAME ASSEMBLY
SUMMIT INSTALL - PAGE 2		DIMENSIONS ARE IN INCHES:	DRAWN			
PROPRIETARY AND CONFIDENTIAL: THE INFORMATION CONTAINED IN THIS DRAWING IS THE SOLE PROPERTY OF . ANY REPRODUCTION IN PART OR AS A WHOLE WITHOUT THE WRITTEN PERMISSION OF . IS PROHIBITED.		TOLEANCES:	CHECKED			
		FRACTIONAL ±	ENGR. APPR.			
		ANGULAR, 90° CHG ± BEND ±	MFG. APPR.			
		1/10 PLUSE DECIMAL ±	DATE			SIZE DWG. NO. REV
		THREE PLUSE DECIMAL ±	COMMENTS:			B
		INTERPRET GEOMETRIC TOLERANCING PER:				SCALE: 1:50 WEIGHT:
		MATERIAL:				SHEET 1 OF 1
		FINISH:				
		APPLICATION:				
			D.S. NOT SCALE DRAWING			

8 7 6 5 4 3 2 1



APPLY 3/16" X 3/8"
TPV GASKET - TYP.

INSTALL PRE-MITERED VEB
TO TOP OF UNIT PERIMETER
WITH #12 X 1" S/S TEK SCREWS,
12-16" O.C.



Client:	Project:	UNLESS OTHERWISE SPECIFIED:	DR	NAME	DATE	TITLE: SUMMIT "VEB" ASSEMBLY	
	SUMMIT INSTALL - PAGE 3	DIMENSIONS ARE IN INCHES TOLERANCES:	CHECKED				
PROPRIETARY AND CONFIDENTIAL: THE INFORMATION CONTAINED IN THIS DRAWING IS THE SOLE PROPERTY OF . ANY REPRODUCTION IN PART OR AS A WHOLE WITHOUT THE WRITTEN PERMISSION OF . IS PROHIBITED.		PROJECT DIMALS	ENG APPR.				
		ANGULAR MATCHES BEND ± TWO PLACE DECIMAL ± THREE PLACE DECIMAL ±	MFG APPR.				
		INTERPRET GEOMETRIC TOLERANCING PER:	Q.A.				
		MATERIAL ALUMINUM	COMMENTS:			SILE DWG. NO.	
		FINISH ANODIZED				REV	
APPLICATION		DO NOT SCALE DRAWINGS				SCALE: 1:50 WEIGHT: SHEET 1 OF 1	

8 7 6 5 4 3 2 1

"BLPEC-2"

APPLY 1/8" X 3/8"
TPV GASKET - TYP.

APPLY "BLPEC" TO "VEB"
WITH 1/4"-20 X 5/8" TRUSS
HEAD SCREWS - APROX.
12" O.C.

INSTALL TONGUE AND GROOVE
ROOF PANELS INTO "VEB" FRAME.
FINAL PANEL PER SIDE IS CUT TO SIZE.

APPLY RIDGE CAP
W/ 3/16" POP RIVETS -
FORM CAP OVER EDGE

DRILL WEEP
HOLES IN EAVE - TYP.

APPLY EPOXY ANCHORS
PER HILTI INSTRUCTIONS.

Client:	Project:	UNLESS OTHERWISE SPECIFIED:			NAME	DATE	TITLE: SUMMIT ROOF PANEL ASSEMBLY
SUMMIT INSTALL - PAGE 4		DIMENSIONS ARE IN FEET INCHES	DRAWN				
PROPRIETARY AND CONFIDENTIAL: THE INFORMATION CONTAINED IN THIS DRAWING IS THE SOLE PROPERTY OF . ANY REPRODUCTION IN PART OR AS A WHOLE WITHOUT THE WRITTEN PERMISSION OF . IS PROHIBITED.		TOLERANCES:	CHECKED				
		RECIPROCAL ±	ENG. APPR.				
		ANGULAR: ± 0.01 ± BEND ±	1/FG. APPR.				
		TPV: PLACE DECIMAL ±	Q.A.				
		THREE PLACE DECIMAL ±	COMMENTS:				
		INTERPRET GEOMETRIC TOLERANCING PER:					
		MATERIAL:	ALUMINUM				
		FINISH:	ANODIZED				
APPLICATION		DO NOT SCALE DRAWING			SCALE: 1:50 WEIGHT:		SIZE: B DWG. NO. REV
					SHEET 1 OF 1		