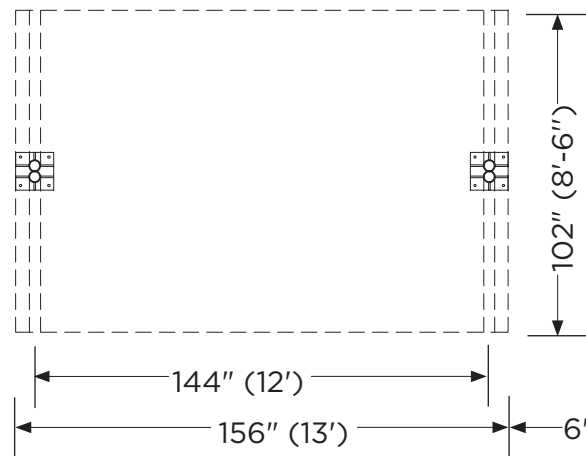
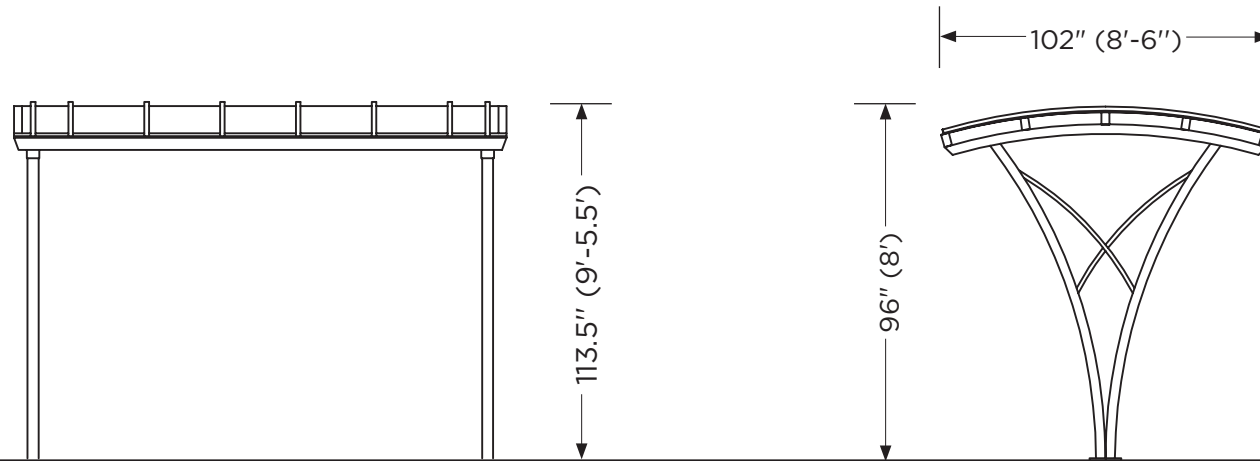


9' X 13' ARCH TOP BIKE SHELTER SPECIFICATIONS



.....
TOTAL WEIGHT: 900 lbs
.....

- NOTES:
- 1) Frame Material: Heavy-gauge steel
 - 2) Roof Material: Multi-wall translucent polycarbonate
 - 3) Stainless steel surface-mounting anchor plates included
 - 4) Assembly hardware included