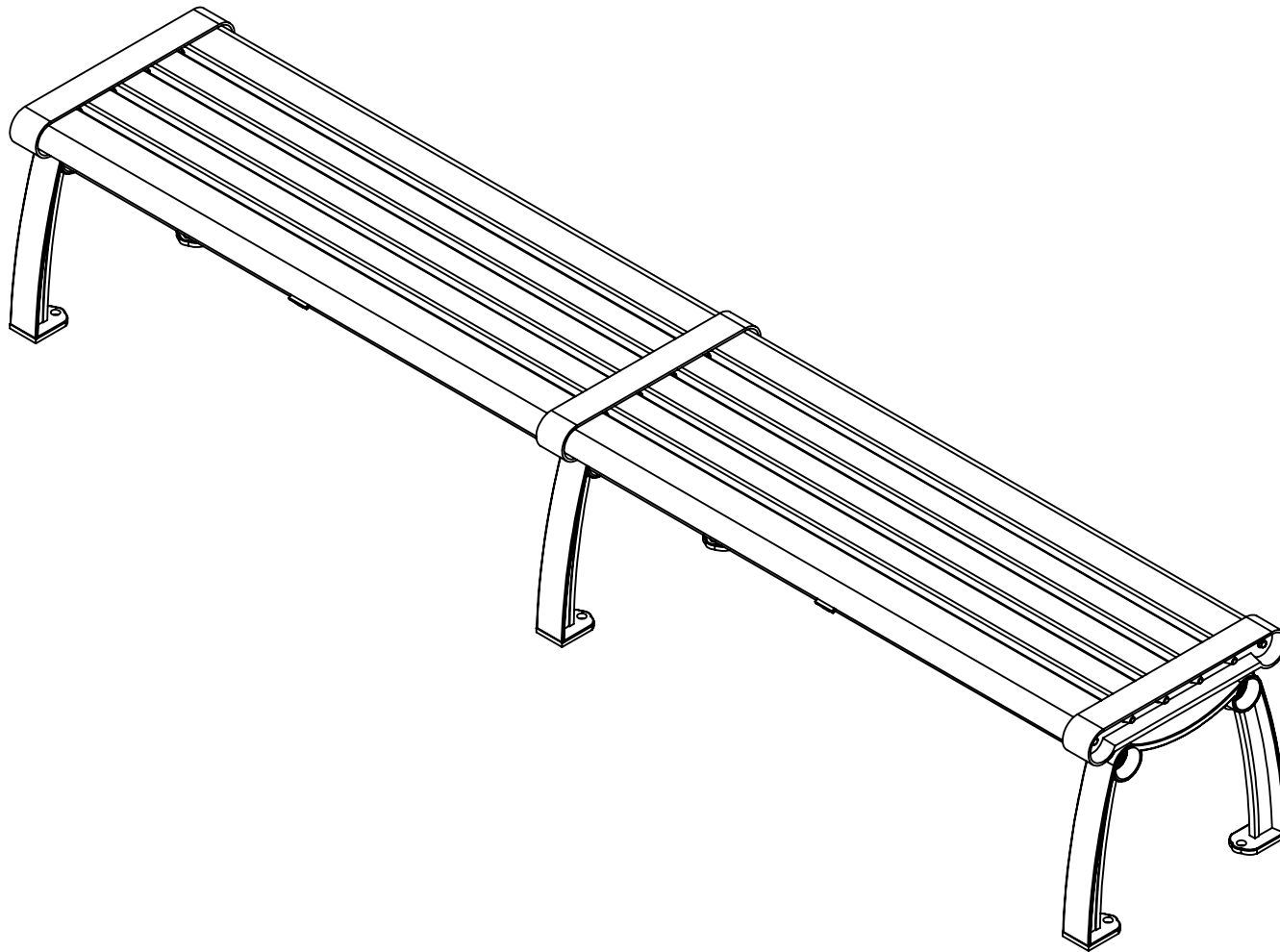


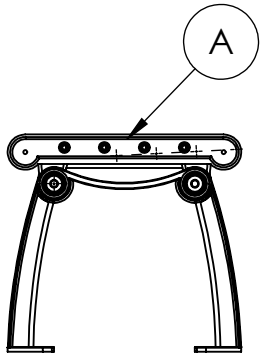
BENCH INSTRUCTIONS
KBC2390

REV# 1
6/28/22

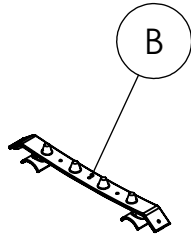


BENCH INSTRUCTIONS KBC2390

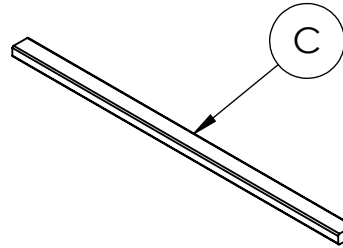
NOTE: IT IS IMPORTANT TO KEEP ALL SCREWS LOOSE DURING ASSEMBLY UNTIL ENTIRE BENCH IS ASSEMBLED



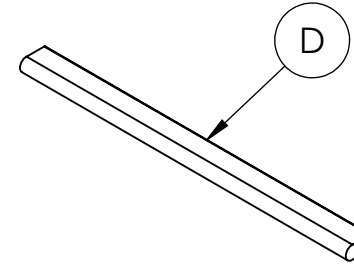
3
Bench Ends
PRT-END-KBC2350-90



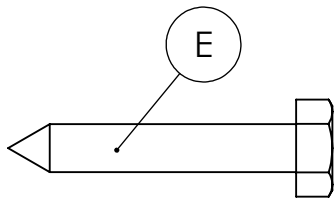
2
Seat Support
PRT-BRKT-KBC2350-90



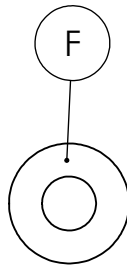
6
Square Seat Slats
ABC-P0189



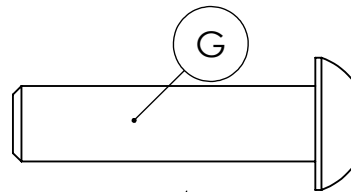
4
Tear Drop Seat Slats
ABC-P0191



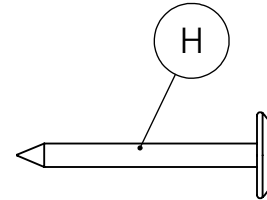
4
1/4x1-1/2 HEX LAG
HLAG025C150188



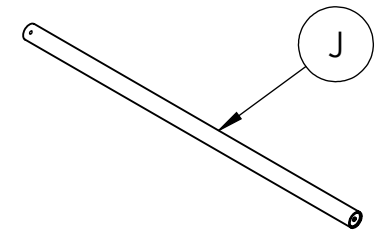
4
1/4 USS FLAT WASHER
WUSS025WAS188



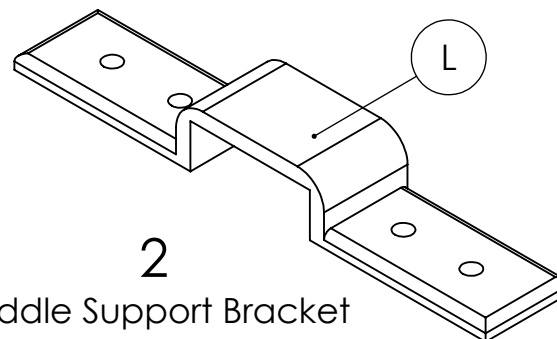
4
M10 X 40 Button Head
SCBH100C040188



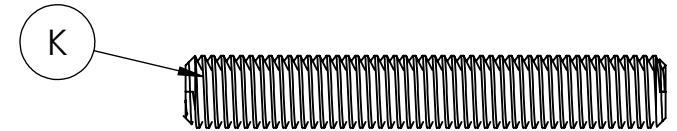
18
#10 x 1-1/4 PHIL PAN TRUSS
SMPT010C125A188



4
Tube Supports
HAS1030-BK 4'



2
Middle Support Bracket



2
M10 Threaded Rod

REQUIRED TOOLS (NOT INCLUDED)

- 1 - 7/16" SOCKET WRENCH
- 1 - 6mm ALLEN WRENCH
- 1 - PHILLIPS HEAD BIT
- 1 - 1/8" DRILL BIT
- POWER DRILL

**HARDWARE &
TOOLS REQUIRED
FOR ASSEMBLY**

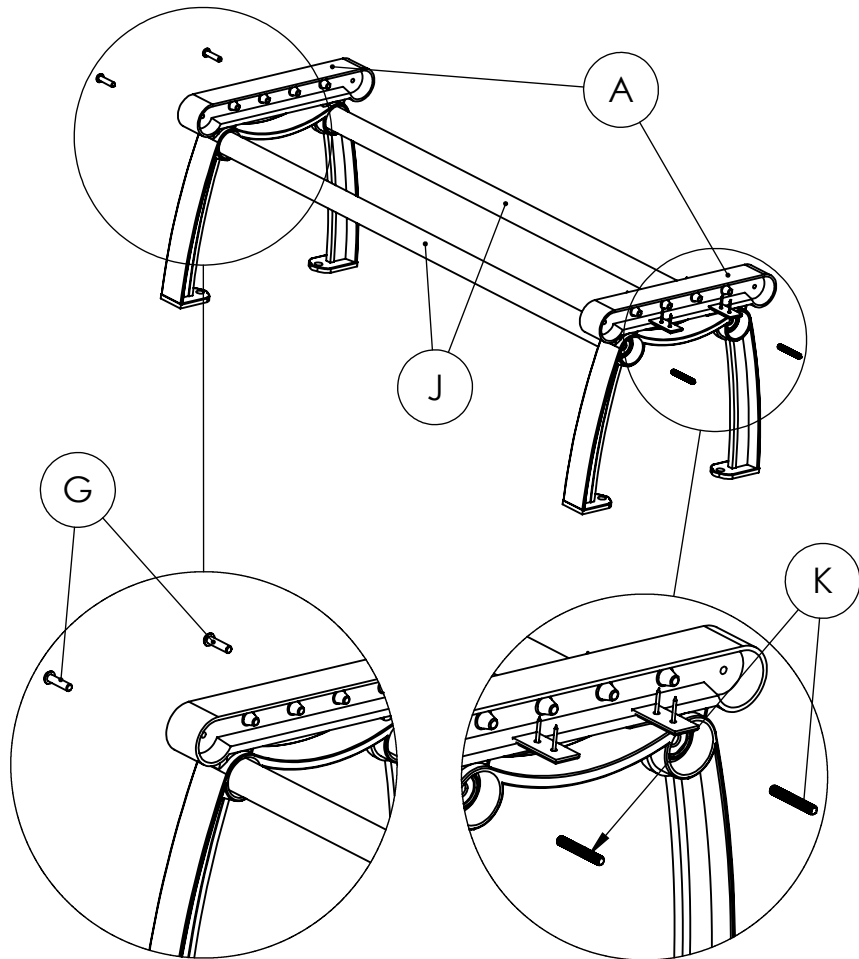
2/5

BENCH INSTRUCTIONS

KBC2390

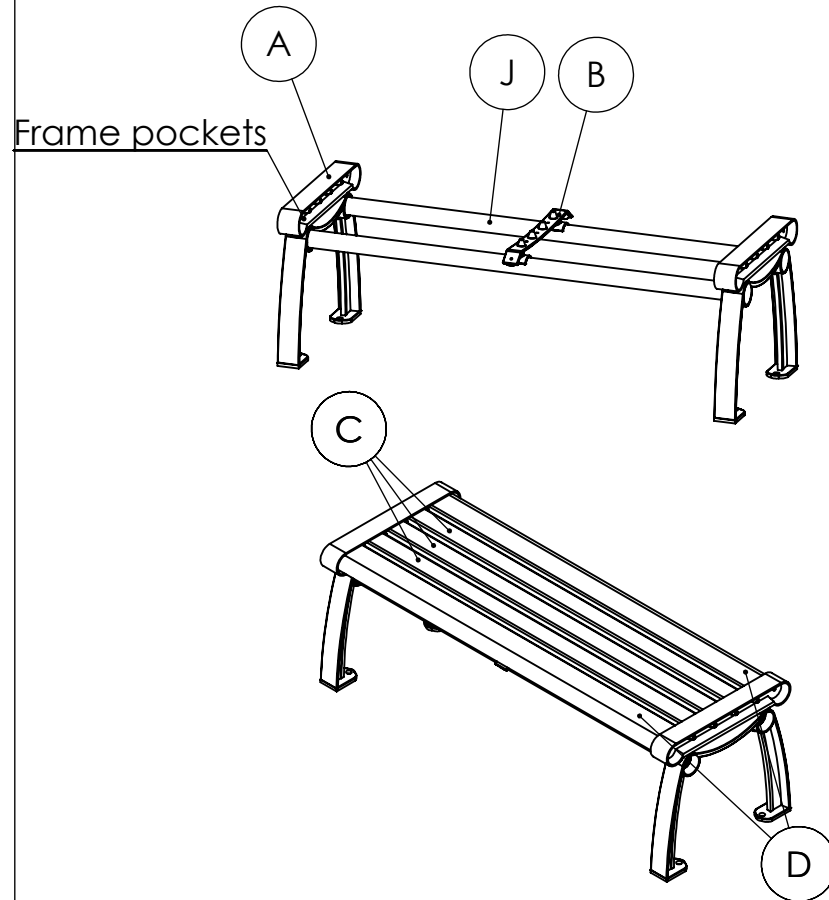
STEP 1 Frame Assembly

- Stand one bench end (A) upright
- Place a tube support (J) in the bench end (A)
- Align the hole in the bench end (A) with the hole in the end tube support (J)
- Attach tube supports with 10mm button head cap screws (G) on one side and threaded rod (K) on the other
- Tighten by a few threads, about 2 full turns



STEP 2 Seat Assembly

- Place the seat support (B) over the tube supports (J)
- Locate 2 tear drop board (D) and 3 square boards (C).
- Position them in the order shown below into the loose frame pockets in the bench ends (A) and over the seat support (B)
- Slide the bench ends (A) together and tighten the 10mm button head cap screws (G) and threaded rod (K) in the bench ends (A)

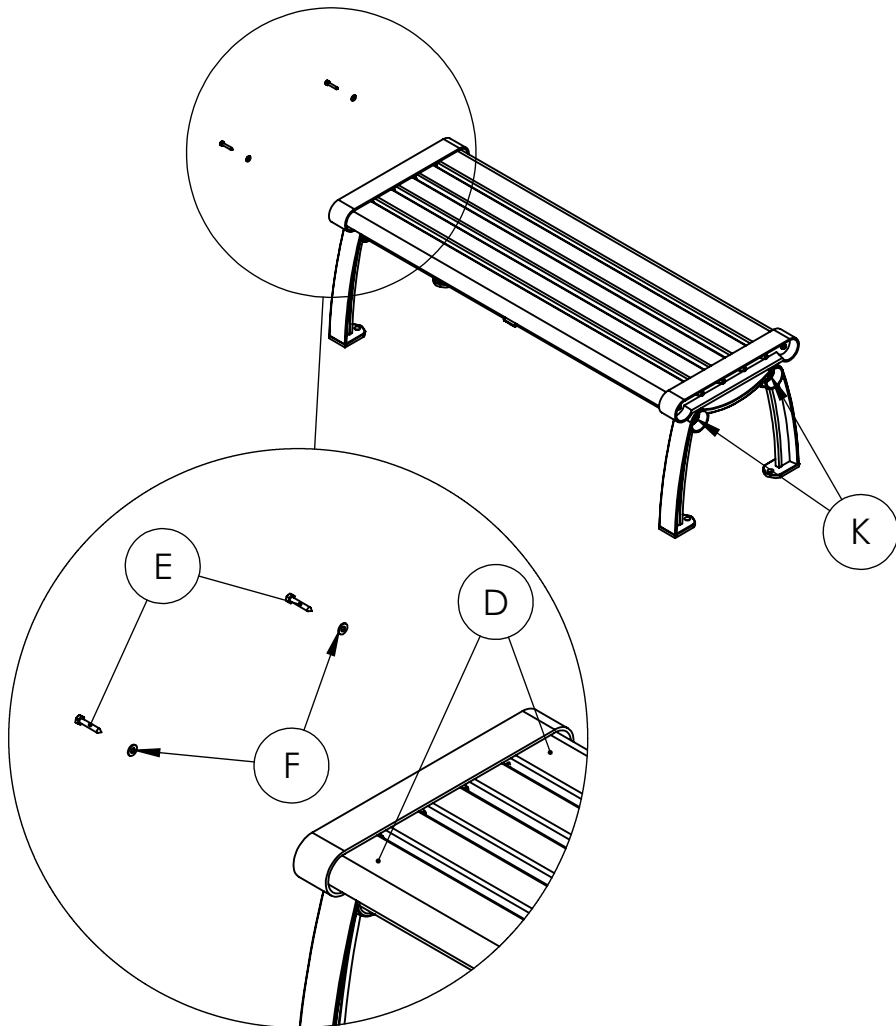


BENCH INSTRUCTIONS

KBC2390

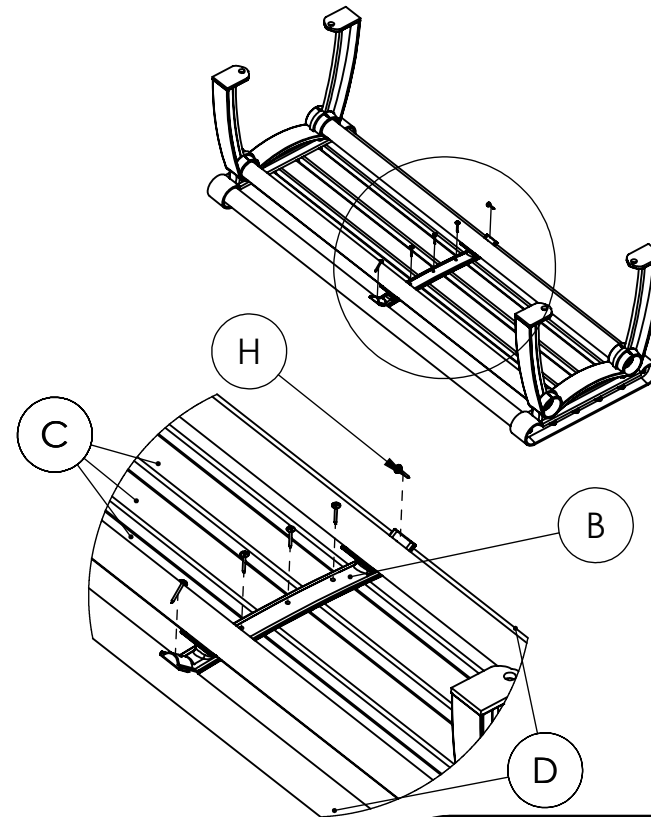
Step 3 Secure Bench End

- Hold the tear drop board (D) against the side of the bench end (A)
- Secure the tear drop board (D) with a 1/4" x 1-1/2" lag screw (E) and 1/4" flat washer (F) on the end opposite the end with the threaded rod (K) as shown below



Step 4 Attach Seat Support

- Carefully flip assembly so top side is down
- Align the seat support (B) with the marked location in the square boards (C)
- Attach the seat support (B) to the square boards (C) with #10 pan head screws (H) at each hole location
- Use a 1/8" drill bit and predrill a 1/2" deep hole into the teardrop boards (D) on the edges
- Secure tear drop boards with #10 pan head screws (H)
- Carefully flip the assembly over

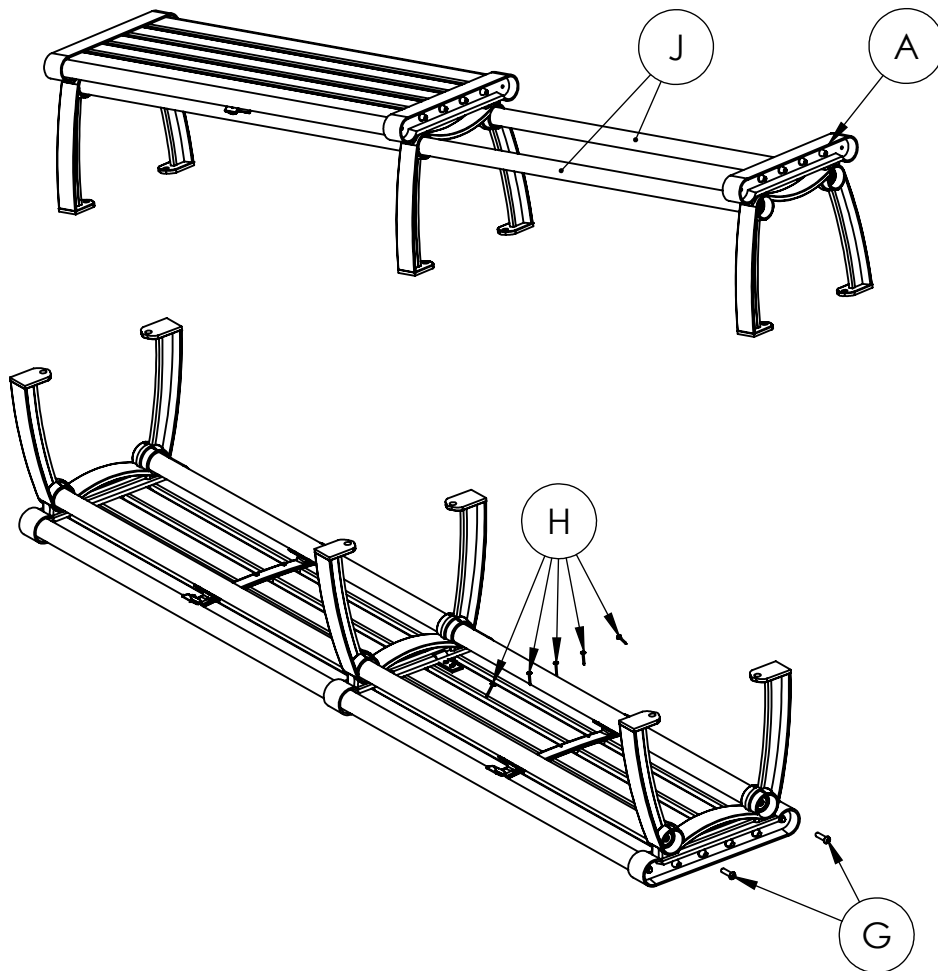


BENCH INSTRUCTIONS

KBC2390

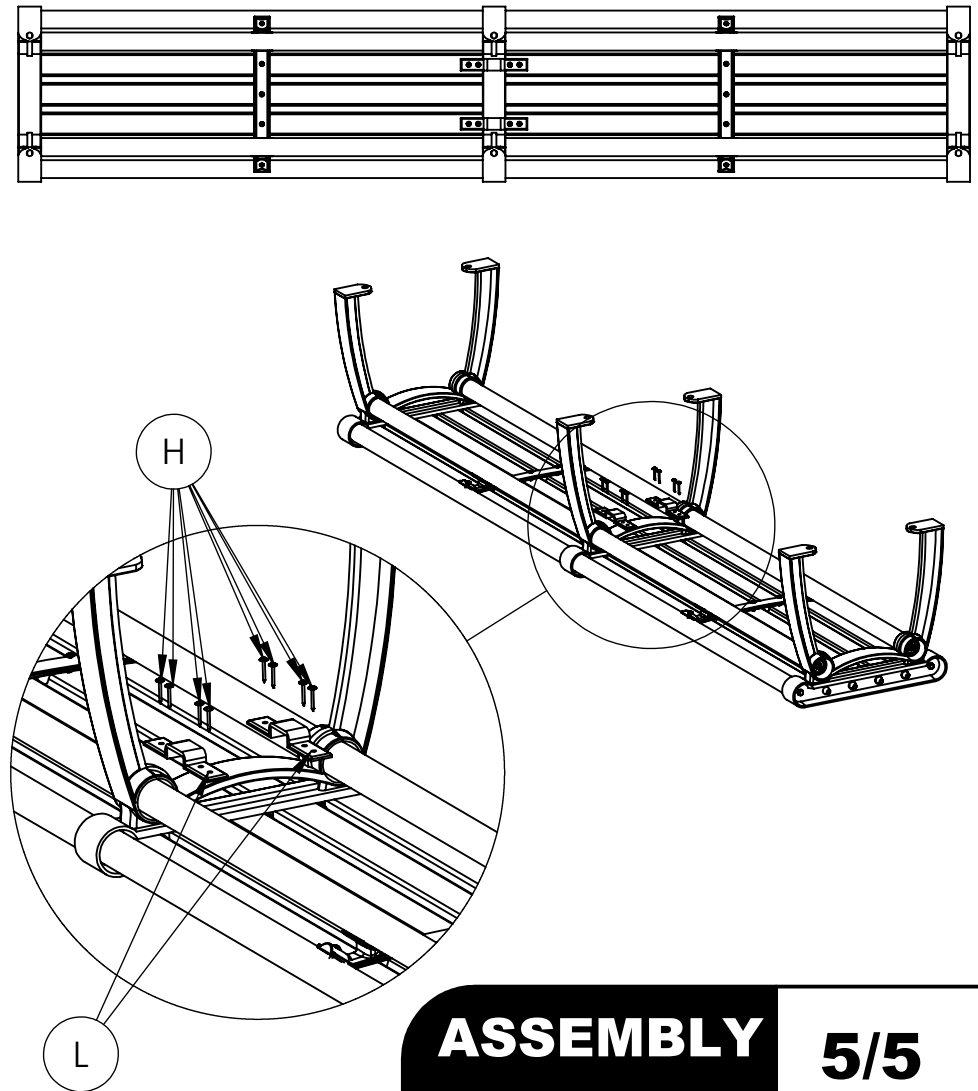
Step 5 Frame Assembly Cont.

- Secure the second set of tube supports (J) onto the threaded rods (K), keeping loose for now
- Attach the 3rd bench end (A) on the open end of the tube supports
- Repeat steps 2-4 for the unfinished half of the bench



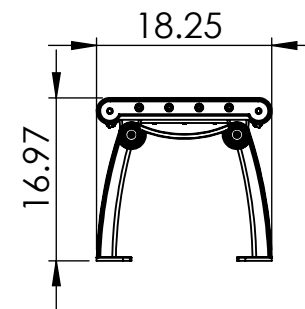
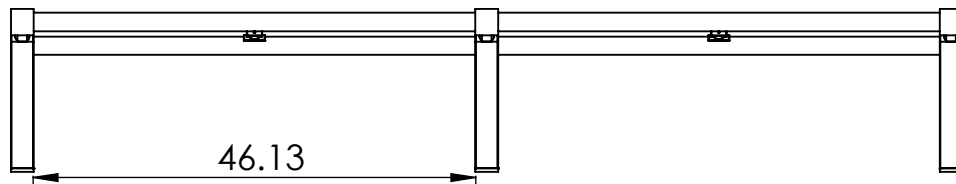
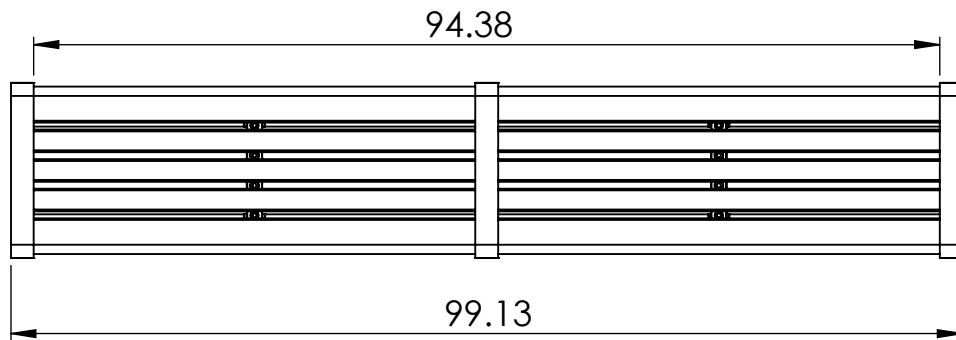
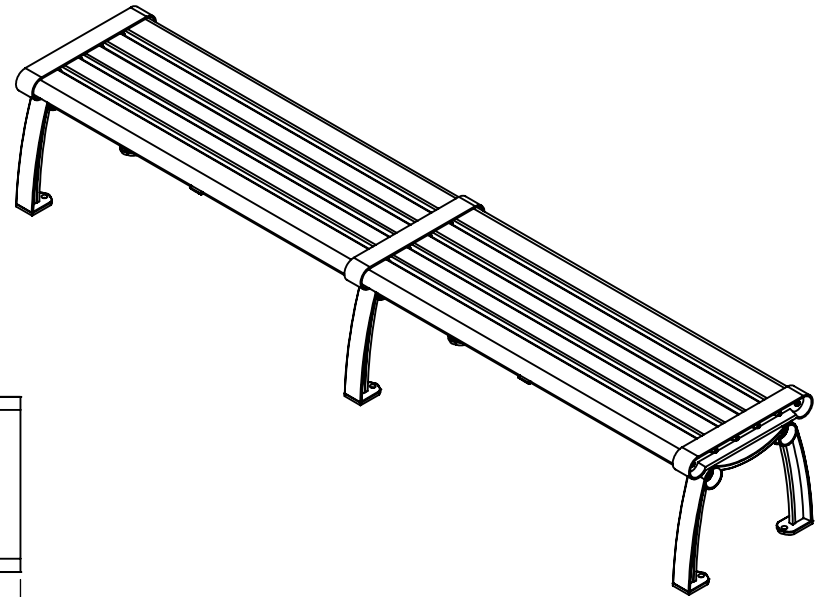
Step 6 Middle Support Bracket

- While the bench is flipped over, place the two Middle Support Brackets (L) over the middle bench end on the 2nd and 4th bench as shown below
- Secure with #10 Phillips head screws (H)
- Carefully flip the assembly over and place in desired location
- If mounting to ground, use kit BNHRD-4



BENCH SPECIFICATIONS KBC2390

REV# 1
6/28/22



CONSTRUCTION MATERIALS:

Recycled Plastic
Cast Aluminum

HARDWARE:
Stainless Steel

ALL DIMENSIONS ARE SHOWN IN INCHES